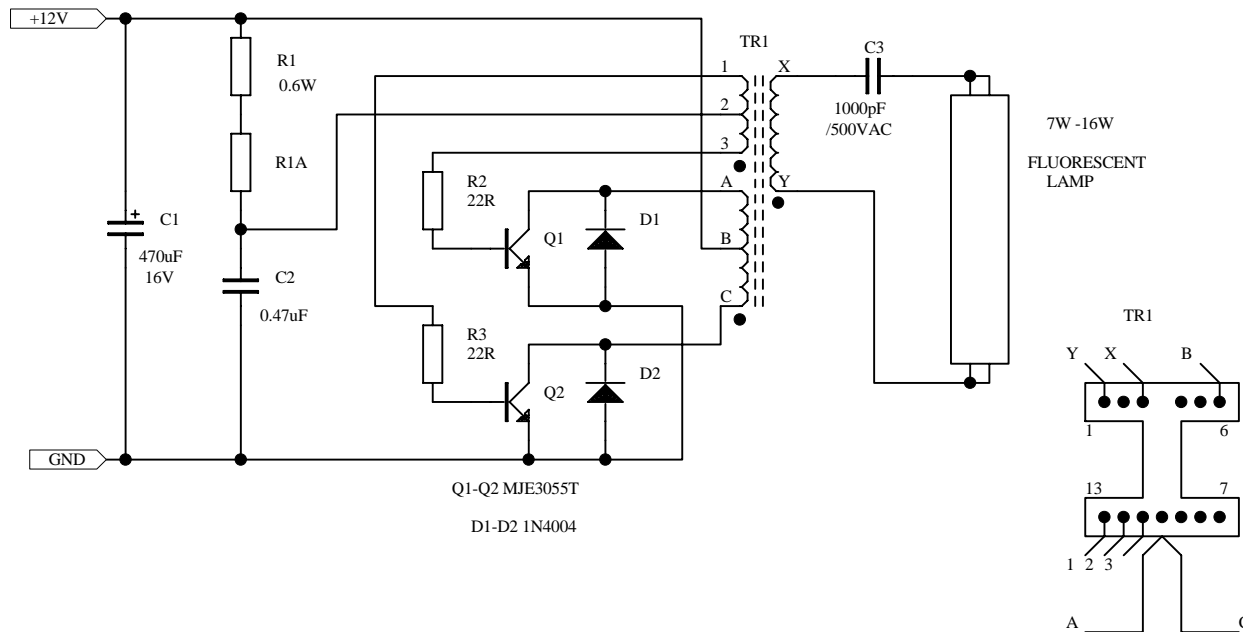


Three inverters for fluorescent lights

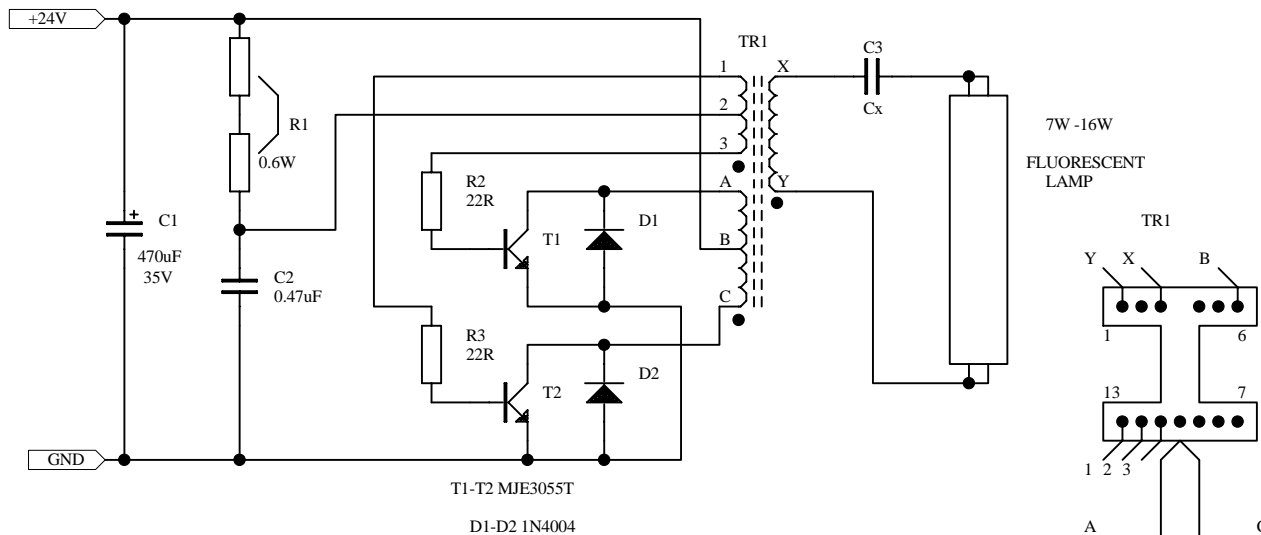
Battery powered fluorescent lamps are commonly available as a feature of some torches but they are flea-power units. Here we present three DC-AC inverters, suitable for fluorescent lights rated up to 40 watts.

Design by OTAKAR PRIBOJ

otakarpriboj.com.au



Q1-Q2 MJE3055T
D1-D2 1N4004



T1-T2 MJE3055T
D1-D2 1N4004

Three inverters for fluorescent lights

Fig.1 : Inverter for fluorescent lights

< 12V > TRANSFORMER	1-2-3	2 x 2 Turns	0.35 - 0.4mm
C1 - 470uF/16V	A-B-C	2 x 6 Turns	0.35 - 0.4mm
R1 - 680R/0.6W	X-Y	400 Turns	0.2mm
R1A	install the wire link		
< 24V > TRANSFORMER	1-2-3	2 x 2 Turns	0.4mm
C1 470uF/35V	A-B-C	2 x 12 Turns	0.4mm
R1 1360R/0.6W	X-Y	400 Turns	0.2mm
< 48V > TRANSFORMER	1-2-3	2 x 2 Turns	0.4mm
C1 470uF/65V	A-B-C	2 x 24 Turns	0.4mm
R1 2720R/0.6W	X-Y	400 Turns	0.2mm

www.otakarpriboj.com.au

Title FLURO INVERTERS		Email: otakarpriboj@otakarpriboj.com.au	
Size A4	Number FLU	Revision	
Date : 26-Jun-2006		Sheet 1	of 1
File : D:\1_CLIENT\www_files\www_files.ddb - FLU.SCH		Drawn By : Otakar Priboj	